



Fogtrap® Hybrid

# Product Datasheet



# Sizes



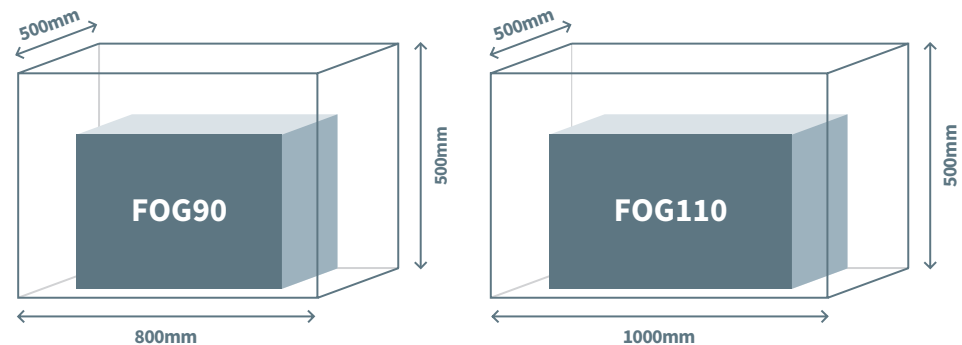
Please find below dimensions of our Fogtrap Hybrid systems. We currently install either the Hybrid Fog90, or the Hybrid Fog110 depending on the size available.

Model	Capacity	Length	Depth	Height	Inlet size	Outlet size	Length from centre of outlet to floor	Length from centre of inlet to floor
FOG90(Y)	90 Litres	600mm	500mm	490mm	1½"	2"	275mm	290mm
FOG90(R)	90 Litres	600mm	500mm	490mm	1½"	1½"	260mm	295mm
FOG110	110 Litres	800mm	480mm	470mm	1½"	2"	270mm	290mm

In addition to the above dimensions, a little room is required either side of the Fogtrap Hybrid to allow for the fittings/connections. Should you require any further information please do not hesitate to contact our offices.

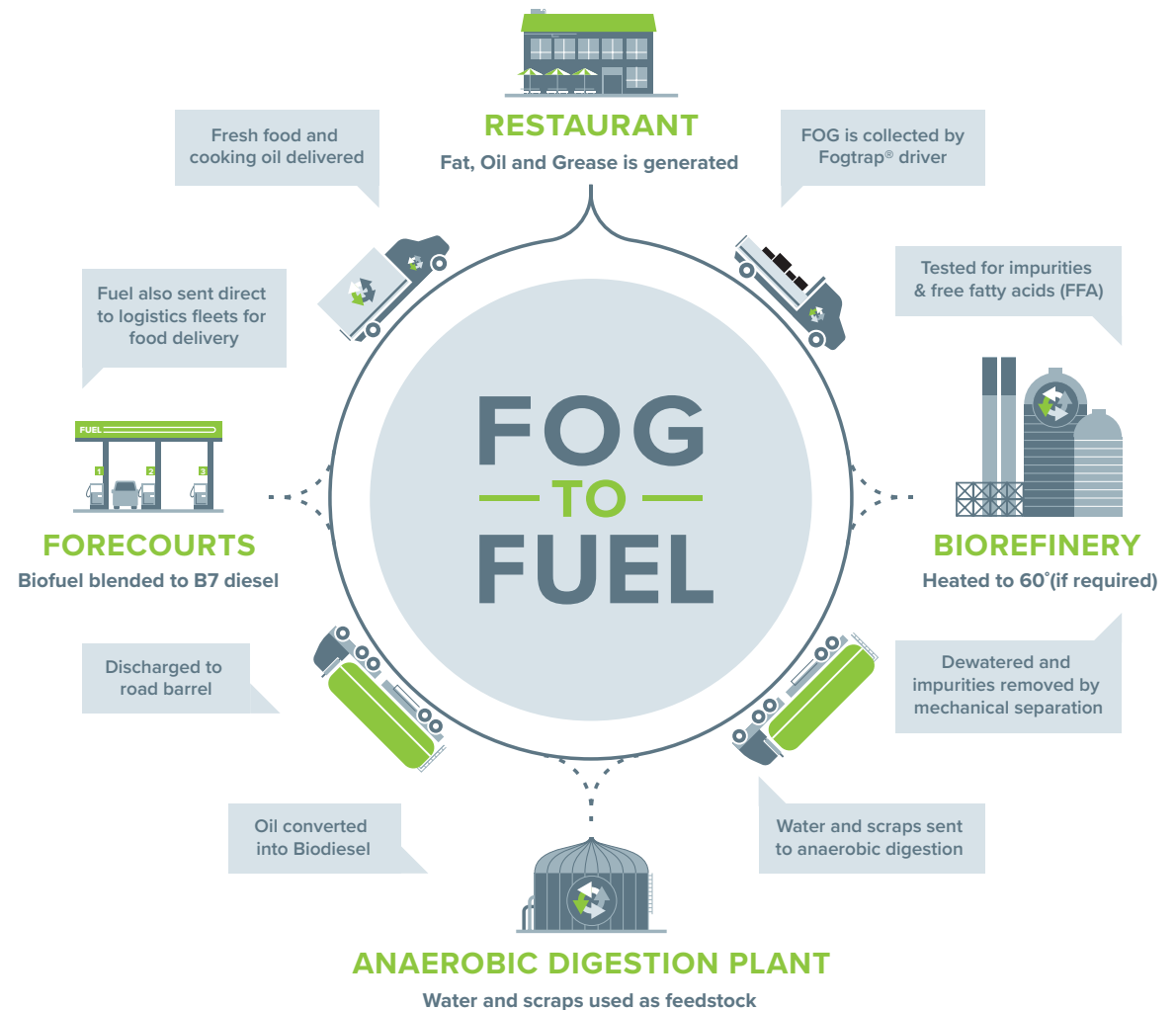
## Sizing Requirements for installation

Additional space is required for fitting and exchange process. Please refer to the guide to the right.



## The FOG to fuel journey

We are big believers in the circular economy and are always looking for innovative ways we can reuse the FOG our clients make. The more we can recycle our waste, the more we help reduce the environmental impacts of our production and consumption. We're proud of the part we play to support the sustainability movement.



# How it works



## How does the Fogtrap® Hybrid Work?

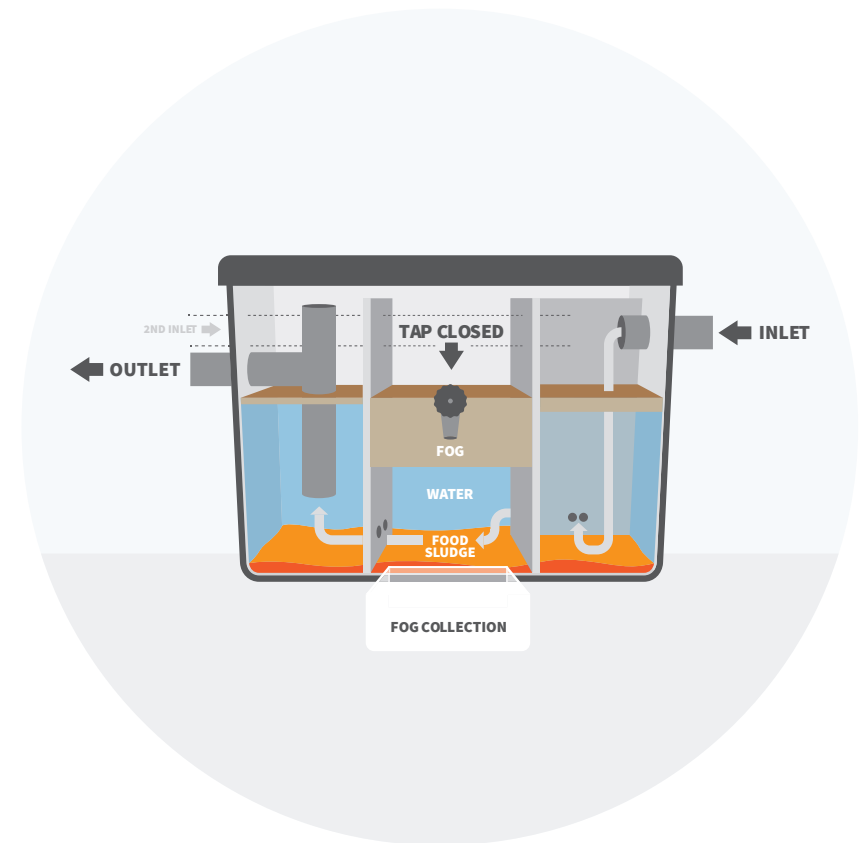
The Fogtrap Hybrid system is a mobile grease trap that requires no electrical connections or water feeds. The Fogtrap Hybrid will be connected as close to the required equipment as possible and will be gravity fed.

The system consists of 2 inlet connections (one on each side) and one outlet connection, however only one inlet connection is allowed at one time. This allows for the Fogtrap Hybrid to be flipped round and the inlet connected off either side depending on the pipework setup.

The Fogtrap Hybrid system separates Fats, Oils & Grease using our internal baffles which allows the separated grease to rise to the top and any food sediment to sink to the bottom.

The Fogtrap Hybrid system is then exchanged on a planned maintenance visit which involves our very own engineers installing a completely new and empty unit, this process allows for a quick and odourless service as the Fogtrap Hybrid system is not emptied onsite which can be completed in as little as 5-10 minutes.

The Fogtrap Hybrid contents are fully recycled as shown on our Fog to Fuel diagram.





Visit our website

[fogtrap.com](http://fogtrap.com)

Call us on

**0121 445 0339**

Email us

[info@fogtrap.com](mailto:info@fogtrap.com)

